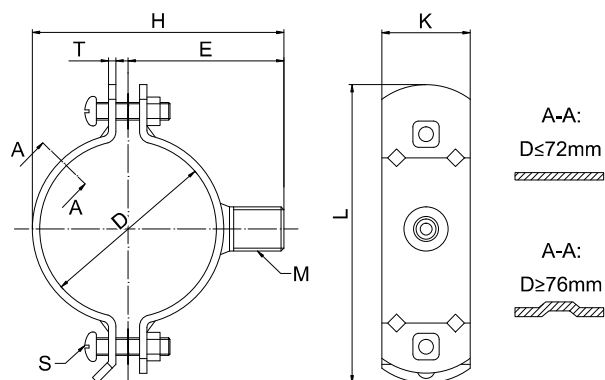
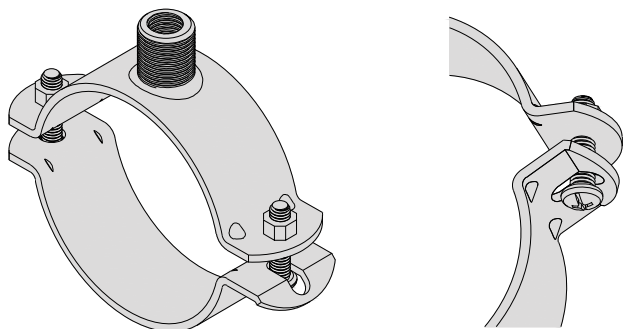


**OBJÍMKA MASIV BEZ TLUMÍČÍ VLOŽKY S UPEVŇOVACÍ HLAVOU UNI**  
**PIPE CLAMP MASIV (HEAVY DUTY) WITHOUT RUBBER LINING WITH HEAD UNI**



**Popis:**

Objímky MASIV bez tlumící gumy jsou vyráběny s navášenou maticí se dvěma vnitřními závity a vnějším trubkovým závitem. Dle rozměrové řady objímky se závity liší: M8, M10, 3/8" nebo M10, M12, 3/8" nebo M12, M16, 1/2". Díky přivařenému centrální matici lze objímku kotvit prakticky v jakémkoliv směru. Objímka je primárně určena k upevnění těžkých ocelových nebo litinových potrubí a k vytvoření pevného bodu (PB).

**Použití:**

- ocelové potrubí
- plastové potrubí
- měděné potrubí
- litinové potrubí
- konstrukce pevných bodů

**Odvětví:**

- voda, topení, plyn
- parní rozvody a kouřovody (v kombinaci se silikonovým profilem)
- odpadní potrubí

**Description:**

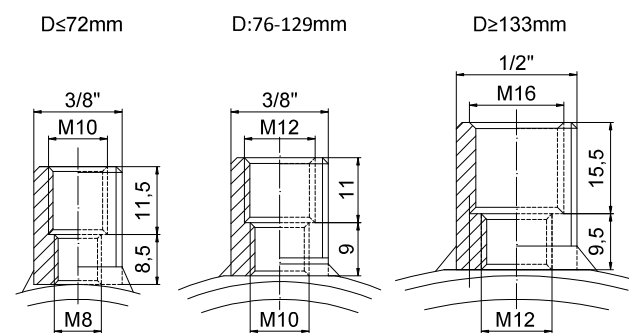
Pipe clamps type MASIV are produced with welded nut with two inside threads and one outside pipe thread. Depending on the size of clamping range, the threads differ: threads can be M8, M10, 3/8" or M10, M12, 3/8" or M12, M16, 1/2". Central welded nut enable anchoring pipes practically in any direction. Pipe clamp MASIV is primarily intended for anchoring heavy steel or cast iron pipes and for creating fixing points (FP).

**Use:**

- steel pipes
- plastic pipes
- copper pipes
- cast iron pipes
- fixing points

**Fields:**

- water, heat, gas
- steam pipes and chimneys (combined with a silicone profile)
- waste pipes



**Technické údaje objímky / Technical data of pipe clamp:**

Material objímky / Pipe clamp material:	DIN 17100/Q235
Povrchová úprava / Surface coating:	galvanicky pozinkováno / zinc plated

Obj. číslo Supply No.	Název Name	Průměr potrubí Diameter of pipe D (mm)	D (")	DN	E (mm)	H (mm)	K (mm)	L (mm)	M Matic Nut	S Šroub Screw	T (mm)	Balení Package (ks/pcs)
17011019	Objímka MASIV bez g. / Heavy duty pipe clamp w/o / 15-19 mm, matic UNI (M8,M10,3/8")	15-19	3/8"	10	31,5	43	25	63	M8/M10/ 3/8"	M6x25 mm	2,0	50
17011024	Objímka MASIV bez g. / Heavy duty pipe clamp w/o / 20-24 mm, matic UNI (M8,M10,3/8")	20-24	1/2"	15	34,0	48	25	65	M8/M10/ 3/8"	M6x25 mm	2,0	50
17011030	Objímka MASIV bez g. / Heavy duty pipe clamp w/o / 25-30 mm, matic UNI (M8,M10,3/8")	25-30	3/4"	20	37,0	54	25	70	M8/M10/ 3/8"	M6x25 mm	2,0	50
17011035	Objímka MASIV bez g. / Heavy duty pipe clamp w/o / 31-35 mm, matic UNI (M8,M10,3/8")	31-35	1"	25	40,0	60	30	75	M8/M10/ 3/8"	M6x25 mm	2,5	50
17011041	Objímka MASIV bez g. / Heavy duty pipe clamp w/o / 37-41 mm, matic UNI (M8,M10,3/8")	37-41	-	-	43,0	66	30	80	M8/M10/ 3/8"	M6x25 mm	2,5	50
17011045	Objímka MASIV bez g. / Heavy duty pipe clamp w/o / 40-45 mm, matic UNI (M8,M10,3/8")	40-45	5/4"	32	45,0	70	30	85	M8/M10/ 3/8"	M6x25 mm	2,5	50
17011053	Objímka MASIV bez g. / Heavy duty pipe clamp w/o / 48-53 mm, matic UNI (M8,M10,3/8")	48-53	6/4"	40	49,0	78	30	93	M8/M10/ 3/8"	M6x25 mm	2,5	50
17011059	Objímka MASIV bez g. / Heavy duty pipe clamp w/o / 54-59 mm, matic UNI (M8,M10,3/8")	54-59	2"	50	52,0	84	30	100	M8/M10/ 3/8"	M6x25 mm	2,5	50
17011065	Objímka MASIV bez g. / Heavy duty pipe clamp w/o / 60-65 mm, matic UNI (M8,M10,3/8")	60-65	-	-	55,0	90	30	105	M8/M10/ 3/8"	M6x25 mm	2,5	50
17011072	Objímka MASIV bez g. / Heavy duty pipe clamp w/o / 67-72 mm, matic UNI (M8,M10,3/8")	67-72	-	-	58,5	97	30	113	M8/M10/ 3/8"	M6x25 mm	2,5	50
17011081	Objímka MASIV bez g. / Heavy duty pipe clamp w/o / 76-81 mm, matic UNI (M10,M12,3/8")	76-81	-	-	65,5	111	30	138	M10/M12/ 3/8"	M8x30 mm	3,0	25
17011087	Objímka MASIV bez g. / Heavy duty pipe clamp w/o / 82-87 mm, matic UNI (M10,M12,3/8")	82-87	-	-	68,5	117	30	143	M10/M12/ 3/8"	M8x30 mm	3,0	25
17011093	Objímka MASIV bez g. / Heavy duty pipe clamp w/o / 88-93 mm, matic UNI (M10,M12,3/8")	88-93	3"	80	71,5	123	30	150	M10/M12/ 3/8"	M8x30 mm	3,0	25
17011101	Objímka MASIV bez g. / Heavy duty pipe clamp w/o / 96-101 mm, matic UNI (M10,M12,3/8")	96-101	-	-	75,5	131	30	158	M10/M12/ 3/8"	M8x30 mm	3,0	25
17011108	Objímka MASIV bez g. / Heavy duty pipe clamp w/o / 102-108 mm, matic UNI (M10,M12,3/8")	102-108	4"	100	79,0	138	30	165	M10/M12/ 3/8"	M8x30 mm	3,0	25
17011116	Objímka MASIV bez g. / Heavy duty pipe clamp w/o / 110-116 mm, matic UNI (M10,M12,3/8")	110-116	4"	-	83,0	146	30	170	M10/M12/ 3/8"	M8x30 mm	3,0	25
17011123	Objímka MASIV bez g. / Heavy duty pipe clamp w/o / 116-123 mm, matic UNI (M10,M12,3/8")	116-123	-	-	86,5	153	30	180	M10/M12/ 3/8"	M8x30 mm	3,0	25
17011129	Objímka MASIV bez g. / Heavy duty pipe clamp w/o / 124-129 mm, matic UNI (M10,M12,3/8")	124-129	-	-	89,5	159	30	186	M10/M12/ 3/8"	M8x30 mm	3,0	25
17011140	Objímka MASIV bez g. / Heavy duty pipe clamp w/o / 133-140 mm, matic UNI (M12,M16,1/2")	133-140	5"	125	101,0	177	40	210	M12/M16/ 1/2"	M12x40 mm	4,0	10
17011148	Objímka MASIV bez g. / Heavy duty pipe clamp w/o / 140-148 mm, matic UNI (M12,M16,1/2")	140-148	-	-	105,0	185	40	218	M12/M16/ 1/2"	M12x40 mm	4,0	10
17011155	Objímka MASIV bez g. / Heavy duty pipe clamp w/o / 149-155 mm, matic UNI (M12,M16,1/2")	149-155	-	-	108,5	192	40	225	M12/M16/ 1/2"	M12x40 mm	4,0	10
17011165	Objímka MASIV bez g. / Heavy duty pipe clamp w/o / 159-165 mm, matic UNI (M12,M16,1/2")	159-165	6"	150	113,5	202	40	235	M12/M16/ 1/2"	M12x40 mm	4,0	10
17011173	Objímka MASIV bez g. / Heavy duty pipe clamp w/o / 167-173 mm, matic UNI (M12,M16,1/2")	167-173	-	-	117,5	210	40	243	M12/M16/ 1/2"	M12x40 mm	4,0	10
17011184	Objímka MASIV bez g. / Heavy duty pipe clamp w/o / 176-184 mm, matic UNI (M12,M16,1/2")	176-184	-	-	123,0	221	40	255	M12/M16/ 1/2"	M12x40 mm	4,0	10
17011194	Objímka MASIV bez g. / Heavy duty pipe clamp w/o / 188-194 mm, matic UNI (M12,M16,1/2")	188-194	-	-	128,0	231	40	266	M12/M16/ 1/2"	M12x40 mm	4,0	10
17011205	Objímka MASIV bez g. / Heavy duty pipe clamp w/o / 199-205 mm, matic UNI (M12,M16,1/2")	199-205	-	-	133,5	242	40	276	M12/M16/ 1/2"	M12x40 mm	4,0	10
17011216	Objímka MASIV bez g. / Heavy duty pipe clamp w/o / 207-216 mm, matic UNI (M12,M16,1/2")	207-216	8"	200	139,0	253	40	284	M12/M16/ 1/2"	M12x40 mm	4,0	10
17011225	Objímka MASIV bez g. / Heavy duty pipe clamp w/o / 219-225 mm, matic UNI (M12,M16,1/2")	219-225	-	-	143,5	262	40	295	M12/M16/ 1/2"	M12x40 mm	4,0	10
17011236	Objímka MASIV bez g. / Heavy duty pipe clamp w/o / 230-236 mm, matic UNI (M12,M16,1/2")	230-236	-	-	149,0	273	40	307	M12/M16/ 1/2"	M12x40 mm	4,0	10
17011250	Objímka MASIV bez g. / Heavy duty pipe clamp w/o / 244-250 mm, matic UNI (M12,M16,1/2")	244-250	-	-	156,0	287	40	321	M12/M16/ 1/2"	M12x40 mm	4,0	10
17011261	Objímka MASIV bez g. / Heavy duty pipe clamp w/o / 255-261 mm, matic UNI (M12,M16,1/2")	255-261	-	-	161,5	298	40	332	M12/M16/ 1/2"	M12x40 mm	4,0	10
17011273	Objímka MASIV bez g. / Heavy duty pipe clamp w/o / 267-273 mm, matic UNI (M12,M16,1/2")	267-273	10"	250	167,5	310	40	344	M12/M16/ 1/2"	M12x40 mm	4,0	10
17011284	Objímka MASIV bez g. / Heavy duty pipe clamp w/o / 278-284 mm, matic UNI (M12,M16,1/2")	278-284	-	-	173,0	321	40	355	M12/M16/ 1/2"	M12x40 mm	4,0	10